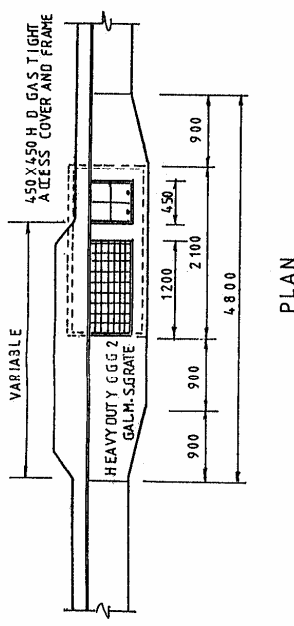
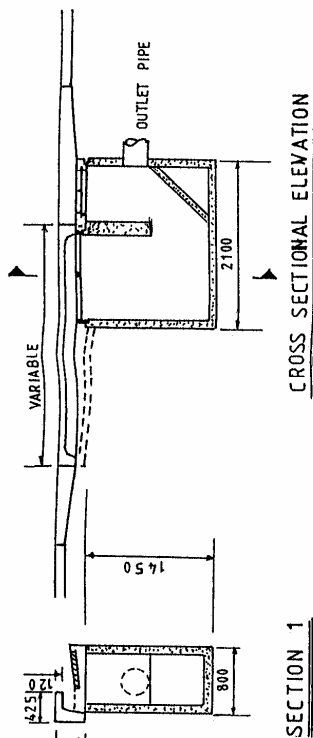


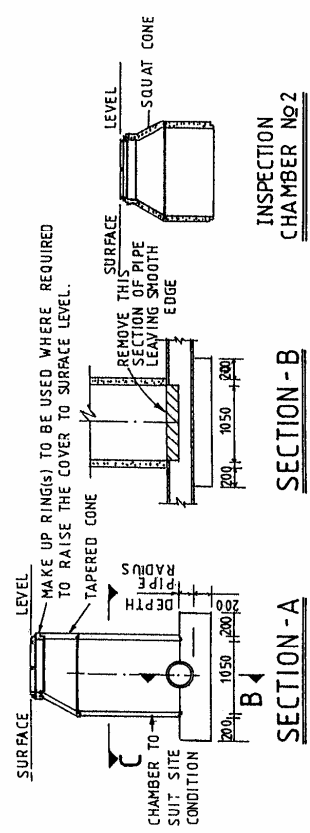
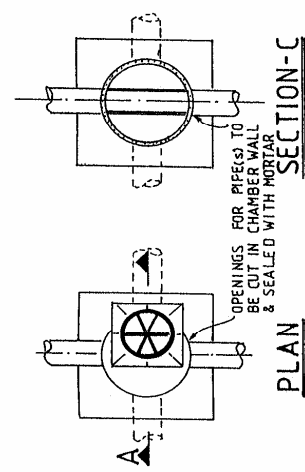
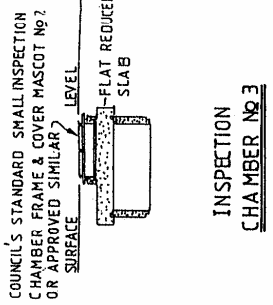
STORMWATER DRAINAGE PITS



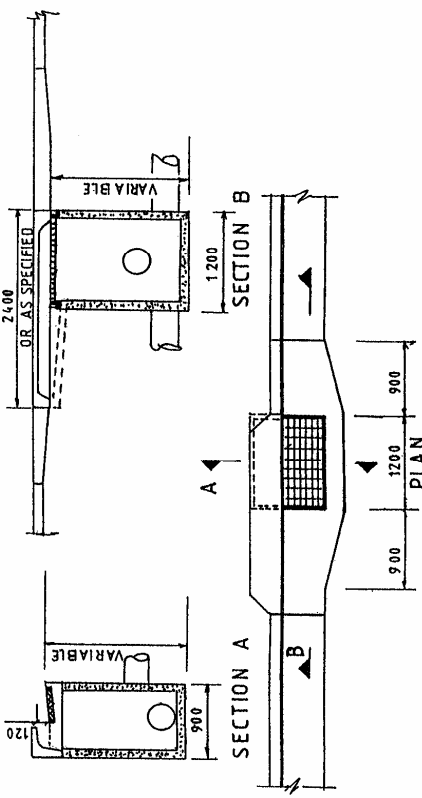
STANDARD GULLY PIT WITH EXTENDED KERB INLET

NOTES

- 1 Inspection Chamber No. 1 to be used where levels between centre of pipe and surface level is 1.2m and greater.
- 2 Inspection Chamber No. 2 to be used where levels between centre of pipe and surface level are between 0.9m and 1.2m.
- 3 Inspection Chamber No. 3 to be used where levels between centre of pipe and surface level are between 0.6m and 0.9m. Where levels are less than 0.6m the bottom section of the chamber to be cut to suit surface level.
- 4 Inspection chambers where levels between centre of pipe and surface level are 1.2m and greater are to be fitted with GMS step irons.



PRECAST INSPECTION CHAMBER WITH C.I. FRAME & COVER



PRECAST TAIL PIT WITH EXTENDED KERB INLET AND GALVANISED MILD STEEL GRATE

